

LED DOWNLIGHT

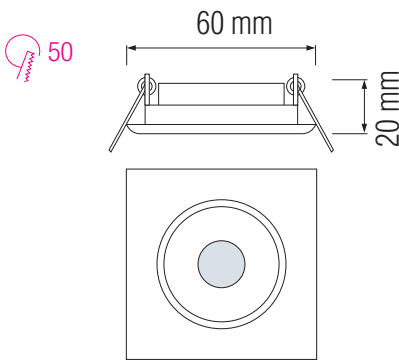
Product&Family Code:

016 010 0001

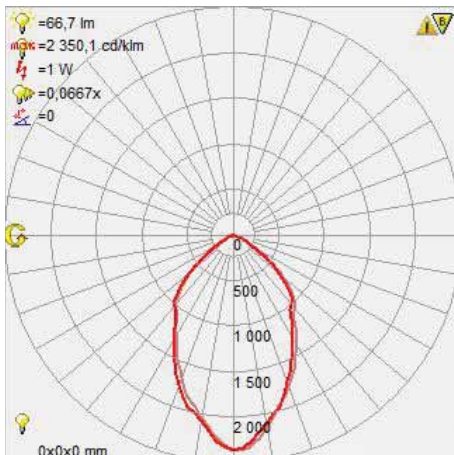
ELENA-1


Mat Chrome

Technical Drawing



Photometric Diagram



Technical Data	
Voltage (V)	220-240V
Product Wattage (W)	1
Equivalence with incandescent lamp	8
Colour Render Index (Ra)	>Ra70
Colour Temperature (K)	2700K / 6400K
Materials	Aluminium
Protection Class	II
Dimmable	No
EEI	A to A++
Warm-up time up to 60 %of the full light output	Instant Full Light
Luminous Flux (lm)	45
Luminous Efficacy (lm/W)	45
Rated Life (hrs) Ⓟ	25.000
IP Rating	20
Power Factor	>0.5
Beam Angle	60
Starting Time	<0.2s
Number of ON-OFF cycling	x10.000

Applications

Indoor applications; Bathroom, Bedroom, Cinema, Gallery, Hospital, Hotel, Kitchen, Museum etc.



Features

- High Lumen and CRI, Good quality & Constant Current driver.
- High heat dissipation, low carbon and environmental protection.
- Innovative design of assembly structure.
- Extremely Long Life.

